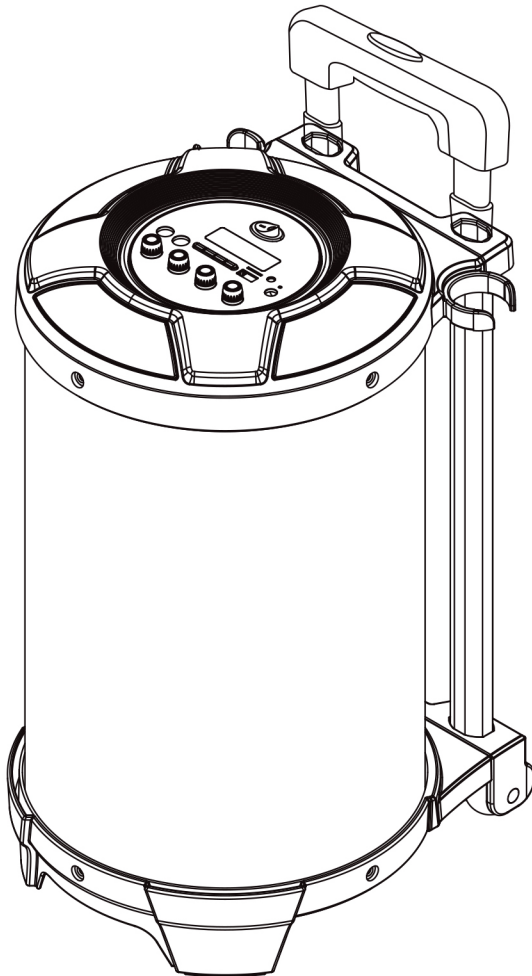


**tyler**<sup>™</sup>  
AUDIO

# PORTABLE AMP SPEAKER

TWS405



**Operating Guide**

**Thank you for purchasing a Tyler product!** Please take a moment to read through this operating guide to ensure proper setup and function of this device and to avoid possible malfunction and/or damage. Please note that the warranty does not include coverage for damage caused by improper or unsafe use.

Our wireless portable speaker, made for use with Bluetooth® wireless technology, is a great multi-input device that will provide hours of high quality audio at home or on the go. The TWS405 was designed using high fidelity speaker and electrical components to ensure an awesome user experience:

- Secure, simple pairing to Bluetooth-enabled devices
- Designed for use with A2DP Bluetooth® wireless technology for wireless streaming up to 10 meters
- AUX input to support multiple audio input types
- 4400mAh rechargeable battery for extended play time
- Dual microphone audio inputs

## **OPERATING INSTRUCTIONS**

### **OPERATION USING BLUETOOTH WIRELESS FUNCTION:**

To connect an external device via Bluetooth, do as follows:

1. Switch the speaker to the desired mode.
2. Press [ Mode ] so that the LED indicator for Bluetooth status lights (it starts to flash after a few seconds)
3. Activate Bluetooth on the device to be paired with the speaker.
4. The speaker will appear on your device as MTO-ER1536, select it and pair it with your device. Refer to the instruction manual of your device for further clarification if you are unsure.
5. Once connection has been established the LED indicator on the speaker will shine a steady blue.
6. Start playback on your device. Set the desired volume levels both on your device and the speaker. Control the other playback settings on the external device and on the speaker.

Note: If you are prompted to enter a PIN code on your device, you should enter 0000 (four zeroes). Certain devices may also require you to approve the connection.

If you have connected a mobile phone to the speaker via Bluetooth and receive a call whilst you are listening to music, the music will be switched off automatically. Once the call has been ended, music playback will be resumed (if your phone settings enable this).

## **TECHNICAL SPECIFICATIONS**

Subwoofer output: 24W, 4Ω

Horn output: 3Wx2, 4Ω

Frequency response: 100 Hz - 20 kHz

Battery Rechargeable Lithium-ion battery, 4400 mA, charging time 4-5 hrs, playing time approx 4 hrs

Size: 30.6 x 30.6 x 42.8 cm (W x D x H)

Weight: 6 kg



The lightning flash and arrowhead in the triangle is a warning sign alerting you of "dangerous voltage" inside the product.

## CAUTION

**RISK OF ELECTRIC SHOCK  
DO NOT OPEN**

**WARNING:** To reduce the risk of electrical shock, do not open product casing. There are no user-serviceable parts inside. Refer servicing to a qualified service professional.



The exclamation point in the triangle is a warning sign alerting you of important operating instructions.

**WARNING:** TO REDUCE THE RISK OF FIRE OR ELECTRICAL SHOCK, DO NOT EXPOSE THIS PRODUCT TO RAIN OR MOISTURE. This product should not be exposed to dripping or splashing. No objects filled with liquids (vases, cups, etc.) should be placed on or near this product. **CAUTION (GROUNDING OR POLARIZATION):** The wider blade of the AC plug must match the slot in the "wall socket" receptacle to ensure proper electrical grounding. **CAUTION:** Batteries and the battery compartment should not be exposed to excessive heat, such as sunshine or fire. **WARNING:** There is a danger of explosion if batteries are incorrectly placed. Replace batteries only with the same or equivalent type. **NOTE:** Under the influence of electrostatic phenomenon, this product may malfunction and cause the power to reset. **NOTE:** Caution symbols are printed on the bottom of the product. Please refer to the instruction manual for more information.

## SAFETY INSTRUCTIONS

**READ INSTRUCTIONS:** Read all safety and operating instructions prior to use.

**RETAIN INSTRUCTIONS:** The safety and operating instructions should be saved for future reference

**FOLLOW INSTRUCTIONS:** All operating and safety instructions should be followed.

**CLEANING:** Unplug this product from the wall outlet before cleaning. Do not use liquid or aerosol cleaners. Use a dry cloth to clean.

**WATER AND MOISTURE:** To avoid electrocution risk, do not use this product near water.

**STABILITY:** Do not place this product on an unstable cart, stand, bracket or table. The product may fall, causing serious injury to a child or adult, and/or may damage product.

**VENTILATION:** Slots and openings in the cabinet are provided for ventilation and to ensure reliable operation of the product and to avoid overheating. Do not block vents.

**POWER SOURCES:** This product should be operated only using the type of power source indicated on the marking label. If you are not sure of the voltage of your power supply, consult your power company or product dealer. For products intended to operate using battery power, consult the operating instructions.

**GROUNDING OR POLARIZATION:** *If this product is equipped with a polarized alternating-current line plug (a plug having one blade that is wider than the other), the plug will only fit into the power outlet one way. This is a safety feature. If you are unable fully insert the plug into the power outlet, try reversing the plug. If this product is equipped with a three-wire grounding-type plug (a plug with a third [grounding] pin), this plug will only fit into a grounding-type outlet. If you are unable to insert the plug, contact your electrician to replace the obsolete outlet. Do not defeat the safety purpose of the polarized plug.*

**POWER CORD PROTECTION:** Power supply cords should be routed so that they are not likely to be walked on, tripped over, or pinched by items placed on or against them, and paying particular attention to the points where the cord meets the wall plug and where the cord leaves the product.

**OVERLOAD PROTECTION:** This product is equipped with an attachment plug with overload protection. This is a safety feature. See the instruction manual for replacement or resetting of protective device. If replacement of the plug is necessary, be sure that the service technician has used a replacement plug specified by the manufacturer that has the same overload protection as the original plug.

**ADDED POWER PROTECTION:** For added protection during a lightning storm or when product is left unused and unattended for some time, be sure to unplug product from wall outlet.

**PRODUCT SERVICE:** Do not attempt to service this product yourself, as opening or removing covers may expose you to dangerous voltage or other hazards. Refer all service to a qualified technician.



## **LIMITED WARRANTY**

**Tyler provides a Limited Warranty of ONE YEAR for all of its products.** Tyler warrants this product to the original purchaser **ONLY**, to be free from defects in materials and workmanship originating from the manufacturer. Tyler agrees, at its discretion during the warranty period, to repair or replace the product if it is determined to be defective at "no charge". This warranty does not cover cosmetic damage, antennas, AC cords, damage due to power surges, connection to improper voltage supplies, damage caused by leaking batteries, misuse, mishandling, improper application, acts of God, or attempted repair by an unauthorized service agent. Products are sold for personal, non-commercial use only. Product is not warranted for commercial or rental use.

In order to have your merchandise repaired or replaced under warranty, you must contact Tyler's customer service department at the number or email address below **within the warranty period**. The customer service department will provide you with an RMA number (return authorization code) and the street address for product service/returns. With the product, **you must include the following:**

1. **Proof of purchase**, which must have a purchase date which falls within the warranty period specified in the product manual.
2. **All of the items and accessories that came in the package**, as well as the main unit.
3. **A detailed description of the problem you are having with the product.**
4. All returns must have an **RMA Number** (an RMA number can be obtained by contacting customer service).

The product must be sent in the original packaging, or a reasonable substitute, to prevent damage. You must include your full name, shipping address, and telephone number for order reference. No return will ship back to a PO Box.

**REPAIR OR REPLACEMENT AS PROVIDED UNDER THIS WARRANTY IS THE EXCLUSIVE REMEDY OF THE CONSUMER. TYLER SHALL NOT BE LIABLE FOR INCIDENTAL OR CONSEQUENTIAL DAMAGES FOR BREACH OF ANY EXPRESS OR IMPLIED WARRANTY ON THIS PRODUCT.**

The warranty period of a repaired or replaced unit will be the balance of the original purchase date.

**TYLER CUSTOMER SERVICE  
18375 Ventura Boulevard #323  
Tarzana CA 91356  
support@tyler-products.com**

**[www.tyler-products.com](http://www.tyler-products.com)**