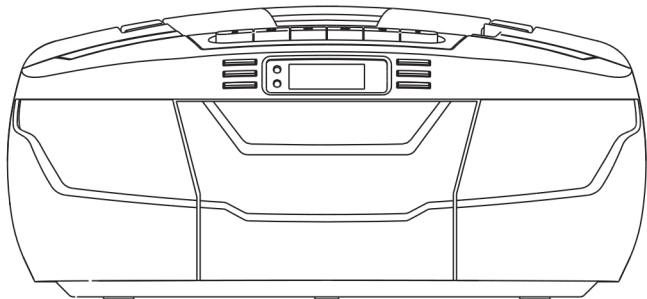




Operating Guide



**SD•USB•AUX•CD•FM RADIO
PORTABLE BOOMBOX**

TAU103-SL



The lightning flash and arrowhead in the triangle is a warning sign alerting you of “dangerous voltage” inside the

CAUTION

**RISK OF ELECTRIC SHOCK
DO NOT OPEN**

WARNING: To reduce the risk of electrical shock, do not open product casing. There are no user-serviceable parts inside. Refer servicing to a qualified service professional.



The exclamation point in the triangle is a warning sign alerting you of important operating instructions.

WARNING: TO REDUCE THE RISK OF FIRE OR ELECTRICAL SHOCK, DO NOT EXPOSE THIS PRODUCT TO RAIN OR MOISTURE.

This product should not be exposed to dripping or splashing. No objects filled with liquids (vases, cups, etc.) should be placed on or near this product.

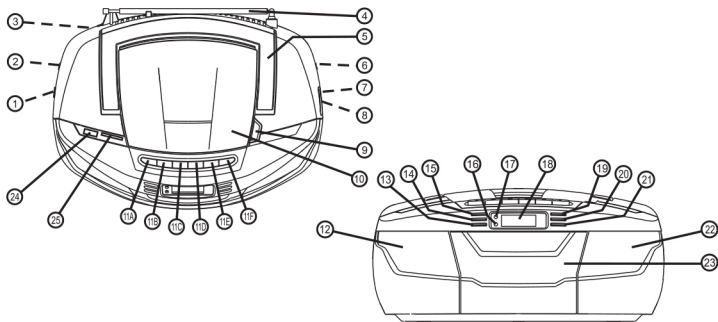
CAUTION (GROUNDING OR POLARIZATION): The wider blade of the AC plug must match the slot in the “wall socket” receptacle to ensure proper electrical grounding.

CAUTION: Batteries and the battery compartment should not be exposed to excessive heat, such as sunshine or fire.

WARNING: There is a danger of explosion if batteries are incorrectly placed. Replace batteries only with the same or equivalent type.

NOTE: Under the influence of electrostatic phenomenon, this product may malfunction and cause the power to reset.

NOTE: Caution symbols are printed on the bottom of the product. Please refer to the instruction manual for more information.



- 1. VOLUME CONTROL
- 2. FUNCTION SWITCH
- 3. HEADPHONE JACK
- 4. FM ANTENNA
- 5. HANDLE
- 6. BAND SWITCH
- 7. TUNER WINDOW
- 8. TUNING KNOB
- 9. CD DOOR RECESS
- 10. CD DOOR

- 11A. CASS. PAUSE
- 11B. CASS. STOP/EJ
- 11C. CASS. FAST FWD
- 11D. CASS. REWIND
- 11E. CASS. PLAY
- 11F. CASS. RECORD
- 12. SPEAKER (LEFT)
- 13. SKIP+10/FOLDER
- 14. REPEAT/PROGRAM
- 15. STOP/CARD

- 16. POWER LED
- 17. FM STEREO LED
- 18. CD DISPLAY
- 19. PLAY/PAUSE USB
- 20. NEXT
- 21. BACK
- 22. SPEAKER (RIGHT)
- 23. CASSETTE DOOR
- 24. USB INPUT
- 25. SD CARD INPUT

OPERATING INSTRUCTIONS

BATTERY OPERATION:

Open the battery door and insert 6 "C" batteries. Ensure battery polarity (+/-) is correct. **CAUTION:** Be sure to remove batteries if using AC power source or if not using the product for an extended period.

AC OPERATION:

Plug AC power into wall outlet to operate unit without batteries.

RADIO OPERATION:

Set the **FUNCTION** switch to **RADIO** and select the desired radio band (**AM/FM**). Rotate the tuning knob to tune to the desired frequency. Adjust the telescopic antenna and position of unit for best reception.

CD OPERATION:

Set the **FUNCTION** switch to the **CD/MP3/USB/SD** position. Insert a CD. The CD will

spin momentarily and then the display will show the total number of tracks on the disc.

- At any time during playback, press the **PLAY/PAUSE** key to pause playback. Press **PLAY/PAUSE** again to resume playback.
- At any time during playback, press the **STOP** key to stop CD playback. This will reset the player to the first track.
- At any time during playback, press and release the **BACK/NEXT** keys to skip backwards or forwards from track to track.
- At any time during playback, press and hold the **BACK/NEXT** keys to scan backwards or forwards within the current track.

MP3-CD OPERATION:

Set the **FUNCTION** switch to the **CD/MP3/USB/SD** position. Insert an MP3 disc. The CD will spin momentarily and then the display will show the total number of tracks on the disc. Playback of the first song on the disc will begin. If your disc has folders, the display will show the folder (F01, F02, etc.) every 5 seconds.

- At any time during playback, press the **PLAY/PAUSE** key to pause playback. Press **PLAY/PAUSE** again to resume playback.
- At any time during playback, press the **STOP** key to stop playback. This will reset the player to the first track.
- At any time during playback, press and release the **BACK/NEXT** keys to skip backwards or forwards from track to track.
- At any time during playback, press and hold the **BACK/NEXT** keys to scan backwards or forwards within the current track.
- If your disc has no folders, you can use the **SKIP +10/FOLDER** button to jump quickly through the disc.
- If your disc has folders, you can press and hold the **SKIP +10/FOLDER** button to jump quickly through the folders.

USB FLASH DRIVE MP3 FUNCTION:

Set the **FUNCTION** switch to the **CD/MP3/USB/SD** position. Insert a flash drive into the USB socket. Press and hold the **PLAY/PAUSE/USB** button for 2 seconds to switch to USB mode. Display will show total number of folders and total number of tracks.

- At any time during playback, press the **PLAY/PAUSE** key to pause playback. Press **PLAY/PAUSE** again to resume playback.
- At any time during playback, press the **STOP** key to stop playback. This will reset the player to the first track.
- At any time during playback, press and release the **BACK/NEXT** keys to skip backwards or forwards from track to track.
- At any time during playback, press and hold the **BACK/NEXT** keys to scan backwards or forwards within the current track.
- If your disc has no folders, you can use the **SKIP +10/FOLDER** button to jump quickly through the tracks. If your disc has folders, you can press and hold the **SKIP +10/FOLDER** button to jump quickly through the folders.

FROM CD MODE TO USB FLASH MODE:

Press the **STOP** button once. Insert a flash drive into the USB socket. Press and hold the **PLAY/PAUSE/USB** button for 2 seconds to switch to USB mode. Playback of MP3 files will begin once loaded.

FROM USB MODE TO CD MODE:

Set the **FUNCTION** switch to the **CD/MP3/USB/SD** position. Insert a CD/MP3 disc. The CD will spin momentarily and then the display will show the total number of tracks on the disc. Playback of the first song on the disc will begin. If your disc has folders, the display will show the folder (F01, F02, etc.) every 5 seconds.

- At any time during playback, press the **PLAY/PAUSE** key to pause playback. Press **PLAY/PAUSE** again to resume playback.
- At any time during playback, press the **STOP** key to stop playback. This will reset the player to the first track.
- At any time during playback, press and release the **BACK/NEXT** keys to skip backwards or forwards from track to track.
- At any time during playback, press and hold the **BACK/NEXT** keys to scan backwards or forwards within the current track.
- If your disc has no folders, you can use the **SKIP +10/FOLDER** button to jump quickly through the disc.
- If your disc has folders, you can press and hold the **SKIP +10/FOLDER** button to jump quickly through the folders.

SD FLASH DRIVE MP3 FUNCTION:

Set the **FUNCTION** switch to the **CD/MP3/USB/SD** position. Insert a SD card into the SD socket. Press and hold the **PLAY/PAUSE/USB** button for 2 seconds to switch to USB mode. Display will show total number of folders and total number of tracks.

- At any time during playback, press the **PLAY/PAUSE** key to pause playback. Press **PLAY/PAUSE** again to resume playback.
- At any time during playback, press the **STOP** key to stop playback. This will reset the player to the first track.
- At any time during playback, press and release the **BACK/NEXT** keys to skip backwards or forwards from track to track.
- At any time during playback, press and hold the **BACK/NEXT** keys to scan backwards or forwards within the current track.
- If your disc has no folders, you can use the **SKIP +10/FOLDER** button to jump quickly through the tracks. If your disc has folders, you can press and hold the **SKIP +10/FOLDER** button to jump quickly through the folders.

IMPORTANT NOTE:

Please take care to use only English characters and numerals when naming your .MP3 files. Characters such as “_” (underscore) and “ ” (space) may result in files being unreadable or inconsistently recognizable by the device.

IMPORTANT NOTE:

Although this product is fully compatible with USB 1. and 2.0 standards, a small percentage (about 5%) of USB Flash devices may not be readable, as not all Flash devices are fully compliant with USB official standards.

PROGRAMMING THE CD PLAYER:

The CD player can be programmed to play any sequence of up to 20 tracks for CDs and up to 100 tracks for MP3-CD. Follow the procedure below to properly operate the track sequence function.

- Always press the **STOP** button before beginning the programming sequence.
- Begin by pressing the **PROGRAM** button. The display will flash "PROGRAM", then "P01", indicating that you are in PROGRAM mode and you are ready to select the track for memory track 1.
- Press the **BACK** or **NEXT** button to select the track number you would like to play first.
- Press the **PROGRAM** button to confirm your selection. The display will show "P02", having advanced to the next position.
- Repeat this process to program up to 99 additional tracks.

REPEAT PLAYBACK FUNCTION:

At any time during audio playback, press the **PROGRAM/REPEAT** button repeatedly to select the following options:

REPEAT: Repeat the current audio track

REPEAT + FOLDER: Repeat all songs from a currently selected folder (MP3 audio only)

REPEAT + ALL: Repeat all tracks

REMOVAL OF USB DRIVES/SD CARDS:

NEVER remove (or unplug) USB devices or SD cards from the device during playback. Always press the **STOP** button before removing the card/device to avoid corrupting the audio files or Flash device.

IMPORTANT:

This unit **DOES NOT** support the connection or use of MP3 players through the USB port, due to their lack of software compatibility. Only USB "Flash" devices can be used for audio playback through the USB port.

IMPORTANT NOTE:

Do not use a USB extension cable to connect your USB Flash device to the USB port of this unit. Such cables can pick up additional interference, which can corrupt the data flow, preventing normal use of the Flash device.

SAFETY INSTRUCTIONS

READ INSTRUCTIONS: Read all safety and operating instructions prior to use.

RETAIN INSTRUCTIONS: The safety and operating instructions should be saved for future reference

FOLLOW INSTRUCTIONS: All operating and safety instructions should be followed.

CLEANING: Unplug this product from the wall outlet before cleaning. Do not use liquid or aerosol cleaners. Use a dry cloth to clean.

WATER AND MOISTURE: To avoid electrocution risk, do not use this product near water.

STABILITY: Do not place this product on an unstable cart, stand, bracket or table. The product may fall, causing serious injury to a child or adult, and/or may damage product.

VENTILATION: Slots and openings in the cabinet are provided for ventilation and to ensure reliable operation of the product and to avoid overheating. Do not block vents.

POWER SOURCES: This product should be operated only using the type of power source indicated on the marking label. If you are not sure of the voltage of your power supply, consult your power company or product dealer. For products intended to operate using battery power, consult the operating instructions.

GROUNDING OR POLARIZATION: *If this product is equipped with a polarized alternating-current line plug (a plug having one blade that is wider than the other), the plug will only fit into the power outlet one way. This is a safety feature. If you are unable fully insert the plug into the power outlet, try reversing the plug. If this product is equipped with a three-wire grounding-type plug (a plug with a third [grounding] pin), this plug will only fit into a grounding-type outlet. If you are unable to insert the plug, contact your electrician to replace the obsolete outlet. Do not defeat the safety purpose of the polarized plug.*

POWER CORD PROTECTION: Power supply cords should be routed so that they are not likely to be walked on, tripped over, or pinched by items placed on or against them, and paying particular attention to the points where the cord meets the wall plug and where the cord leaves the product.

OVERLOAD PROTECTION: This product is equipped with an attachment plug with overload protection. This is a safety feature. See the instruction manual for replacement or resetting of protective device. If replacement of the plug is necessary, be sure that the service technician has used a replacement plug specified by the manufacturer that has the same overload protection as the original plug.

ADDED POWER PROTECTION: For added protection during a lightning storm or when product is left unused and unattended for some time, be sure to unplug product from wall outlet.

PRODUCT SERVICE: Do not attempt to service this product yourself, as opening or removing covers may expose you to dangerous voltage or other hazards. Refer all service to a qualified technician.

LIMITED WARRANTY

Tyler provides a Limited Warranty of ONE YEAR for all of its products. Tyler warrants this product to the original purchaser ONLY, to be free from defects in materials and workmanship originating from the manufacturer. Tyler agrees, at its discretion during the warranty period, to repair or replace the product if it is determined to be defective at "no charge". This warranty does not cover cosmetic damage, antennas, AC cords, damage due to power surges, connection to improper voltage supplies, damage caused by leaking batteries, misuse, mishandling, improper application, acts of God, or attempted repair by an unauthorized service agent.

Products are sold for personal, non-commercial use only. Product is not warranted for commercial or rental use.

In order to have your merchandise repaired or replaced under warranty, you must contact Tyler's customer service department at the number or email address below **within the warranty period**. The customer service department will provide you with an RMA number (return authorization code) and the street address for product service/returns. With the product, **you must include the following**:

1. **Proof of purchase**, which must have a purchase date which falls within the warranty period specified in the product manual.
2. **All of the accessories that came in the package**, as well as the main unit.
3. **A detailed description of the problem you are having with the product.**
4. All returns must have an **RMA Number** (an RMA number can be obtained by contacting customer service).

The product must be sent in the original packaging, or a reasonable substitute, to prevent damage. You must include your full name, shipping address, and telephone number for order reference. No return will ship back to a PO Box.

REPAIR OR REPLACEMENT AS PROVIDED UNDER THIS WARRANTY IS THE EXCLUSIVE REMEDY OF THE CONSUMER. TYLER SHALL NOT BE LIABLE FOR INCIDENTAL OR CONSEQUENTIAL DAMAGES FOR BREACH OF ANY EXPRESS OR IMPLIED WARRANTY ON THIS PRODUCT.

The warranty period of a repaired or replaced unit will be the balance of the original purchase date.